

MULTI-LOADER FX & RT ATTACHMENTS

CRAWLER CARRIER



ALMACRAWLER 

MULTI-LOADER FX & RT ATTACHMENTS

The Multi-Loaders comes with a wide range of fully installable, completely independent attachments to amplify its range of applications and allow operators to achieve more.

I Multi-Loader sono dotati di un'ampia gamma di accessori autonomi, facilmente installabili, che permettono di ampliare la gamma di applicazioni del trasportatore cingolato.

	KLM 1.0		KLM 2.0		
	METRIC	IMPERIAL	METRIC	IMPERIAL	
Max capacity	1000 Kg	2200 lbs	400 Kg	880 lbs	Capacità max
Weight (empty)	415 Kg	915 lbs	490 Kg	1080 lbs	Peso (a vuoto)
Battery	12 V 100 Ah with charger on board (110V-230V)		12 V 100 Ah with charger on board (110V-230V)		Batteria



Self-standing kit
Kit autoportante



KLM 1.0



KLM 2.0

Lifter KIT

ML 3.0 FX / ML 3.0 RT

Fully removable hydraulic scissor lift table available in two options

Piano a forbice completamente rimovibile disponibile in due opzioni

KLM 1.0

Single stage

KLM 2.0

Double stage

KDM13

Dumper

ML 3.0 FX / ML 3.0 RT

Installable dumper kit

Rotating base

Radio remote controlled

Kit dumper installabile

Pianale ruotante

Radiocomando



Swivel platform

Rotazione del pianale



	KDM 13		
	METRIC	IMPERIAL	
Max capacity	1300 Kg	2870 lbs	Capacità max
Weight (empty)	380 Kg	840 lbs	Peso (a vuoto)
Struck volume	0.6 m ³	21 ft ³	Volume raso
Rated volume (ISO 6483)	0.65 m ³	23 ft ³	Volume max (ISO 6483)
Battery	12 V 100 Ah with charger on board (110V-230V)		Batteria

Battery Trolley

ML 3.0 FX

Custom design trolley to allow easy removal and storage of battery pack.

Trolley progettato su misura per estrarre e trasportare facilmente la batteria.



Max capacity 170 Kg / 375 lbs

Weight (Peso) 30 Kg / 66 lbs



Multiframe

ML 3.0 FX / ML 3.0 RT / 1.5 FX

Double-sided a-frame rack for the safe transport and storage of windows, flat glass or insulating glass units.

A-Frame per il trasporto sicuro di finestre, vetri piani o vetrate isolanti.

Max capacity 2400 Kg / 5290 lbs
ML 3.0 FX / RT (1200 Kg / 2645 lbs for each side)

Max capacity 1300 Kg / 2870 lbs
ML 1.5 FX (650 Kg / 1435 lbs for each side)

Weight (Peso) 145 Kg / 320 lbs

Swivel plate for ML 1.5 FX

Pianale girevole per ML 1.5 FX

Max capacity 1400 Kg / 3090 lbs

Weight (Peso) 100 Kg / 220 lbs



Dolly

ML 3.0 FX / ML 3.0 RT / ML 1.5 FX

Support extension - helps carry extra-long loads easily

Accessorio estensivo del pianale: aiuta a trasportare facilmente i carichi più lunghi

Max capacity 1500 Kg / 3310 lbs

Weight (Peso) 125 Kg / 275 lbs



Forest Kit

ML 3.0 FX / ML 3.0 RT / 1.5 FX

Forest kit for safe transport of logs

Kit forestale per il trasporto sicuro dei tronchi

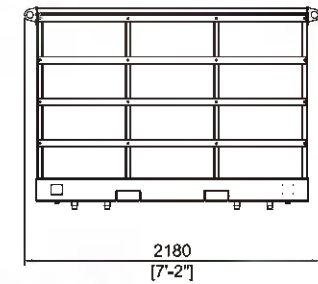
Max capacity 2950 Kg / 6500 lbs
ML 3.0 FX / RT

Max capacity 1450 Kg / 3200 lbs
ML 1.5 FX

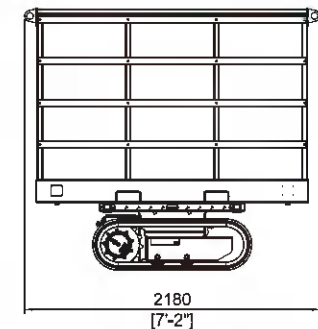
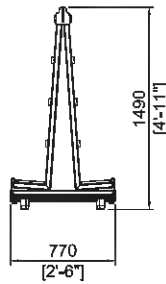
Weight (Peso) 50 Kg / 110 lbs

MULTI-LOADER FX & RT ATTACHMENTS

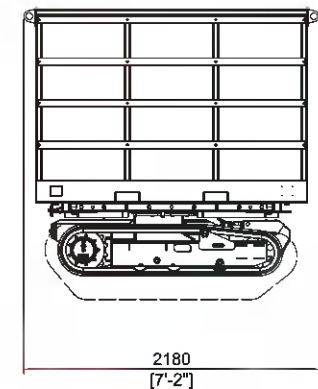
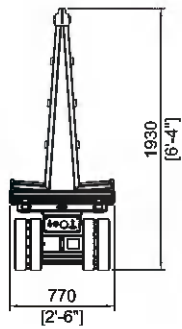
Multiframe



ML 1.5 FX

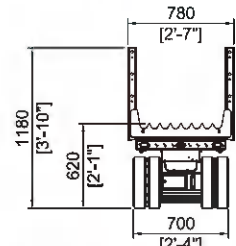
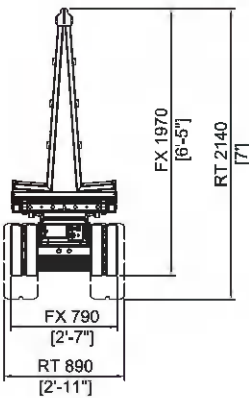


ML 3.0 FX / ML 3.0 RT

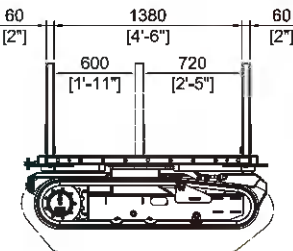
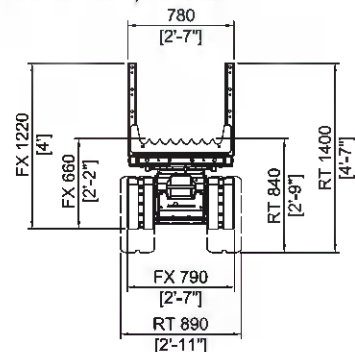
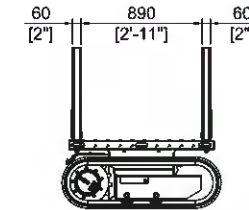


Forest kit

ML 1.5 FX

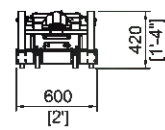
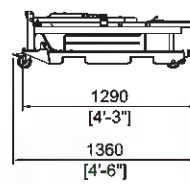
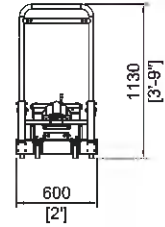
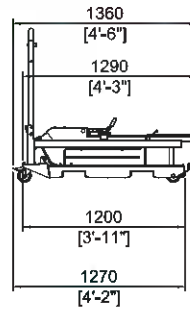


ML 3.0 FX / 3.0 RT



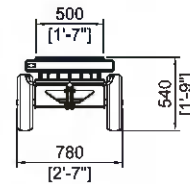
Battery Trolley

ML 3.0 FX

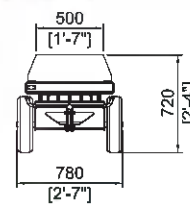


Dolly

ML 3.0 FX

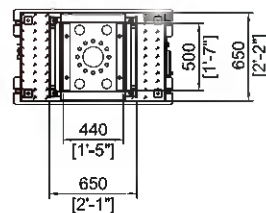
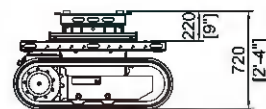


ML 3.0 RT / 1.5 FX



Swivel plate

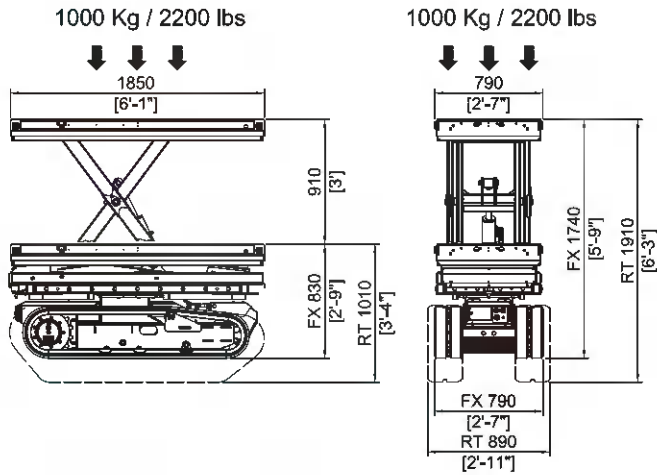
ML 1.5 FX



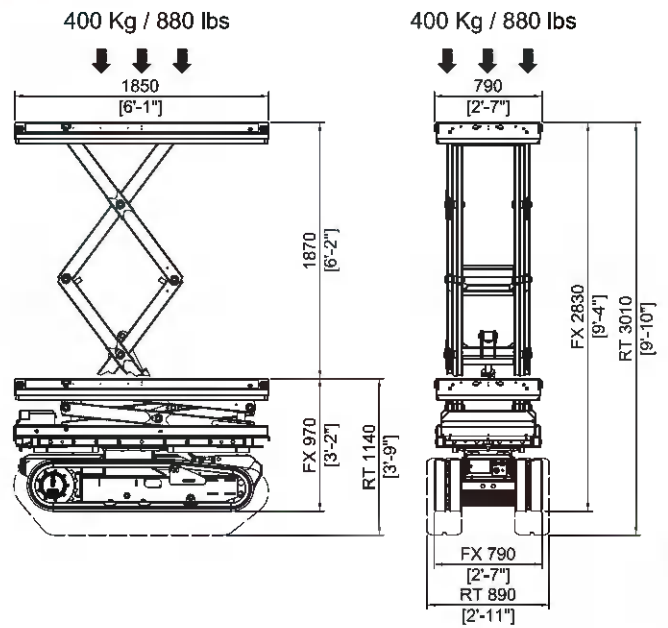
Lifter Kit

ML 3.0 FX / 3.0 RT

KLM 1.0

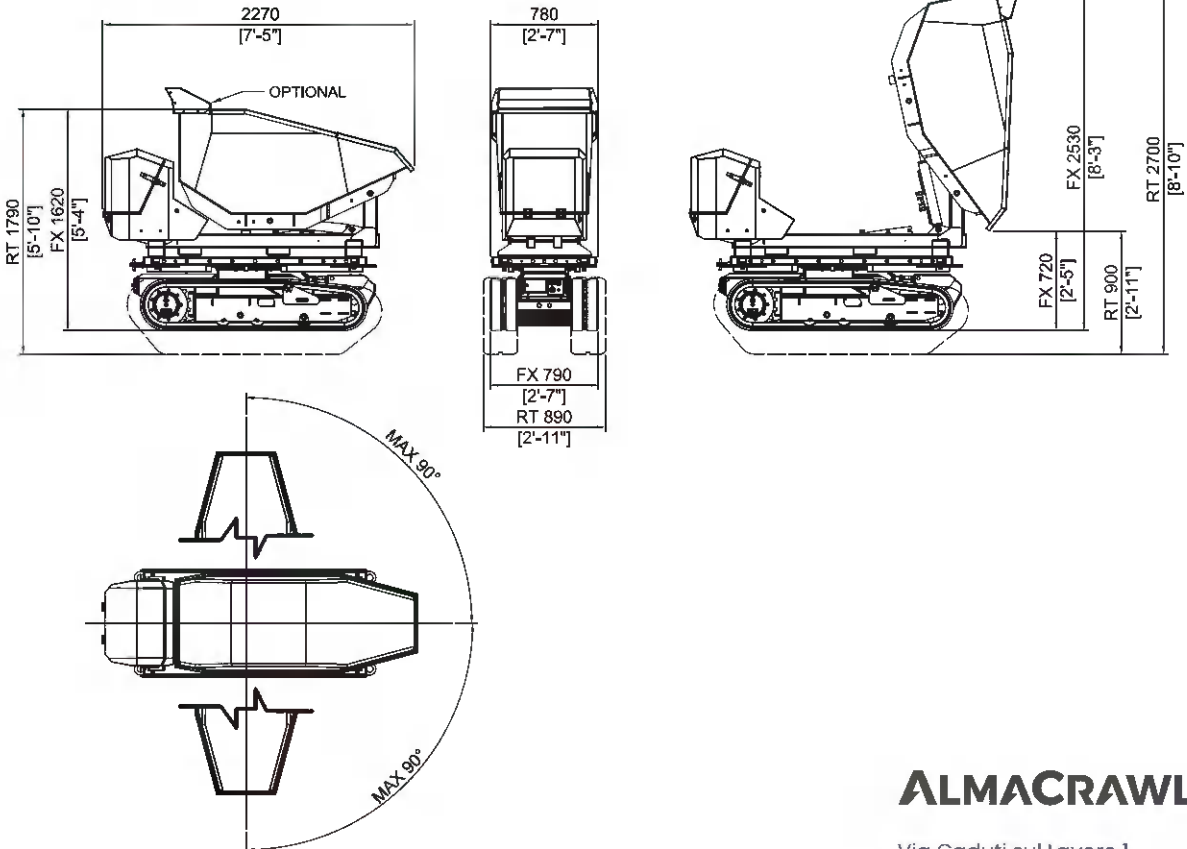


KLM 2.0



Dumper KDM13

ML 3.0 FX / 3.0 RT



ALMACRAWLER

Via Caduti sul Lavoro 1
46019 Viadana (MN) - ITALY
+39 0375 83 35 27
info@almac-italia.com
www.almac-italia.com